

NOTES:

1. MATERIALS AND FINISHES:

- INSULATOR: GLASS FILLED PLASTIC UL 94 V-0 RATED, GREY RAL 7035
- CONTACTS: COPPER ALLOY, PLATING MATING AREA: 0,8 µM GOLD OVER NICKEL
PLATING TERMINATION AREA: 0,8-1,5 µM TIN (SN 100)

2. ELECTRICAL CHARACTERISTICS:

- CREEPING AND CLEARANCE DISTANCE; MINIMUM SPACING:
- CONTACTS 5-16 TO ANY OTHER CONTACT WITHIN THIS GROUP: 0,7 MM
- CONTACTS 17-24 TO ANY OTHER CONTACT WITHIN THIS GROUP: 2,5 MM
- CONTACT 25 TO 26: 5,5 MM
- CONTACTS 27-34 TO ANY OTHER CONTACT WITHIN THIS GROUP: 1,4 MM
- CONTACTS 13-16 TO 17-20: 3,0 MM
- CONTACTS 21-24 TO 25-26: 4,0 MM
- CONTACTS 25-26 TO 27-29: 2,0 MM

CONTACT CURRENT RATING:

- POWER CONTACTS: 16 AMPERES MINIMUM, TESTED PER CSA C22.2 NO. 182.3-M1987, ALL CONTACTS UNDER LOAD
- SIGNAL CONTACTS: 2 AMPERES NOMINAL
- INITIAL CONTACT RESISTANCE PER IEC 512-2, TEST 2b:
- POWER CONTACTS: 0,0022 OHM MAX.
- SIGNAL CONTACTS: 0,0085 OHM MAX.

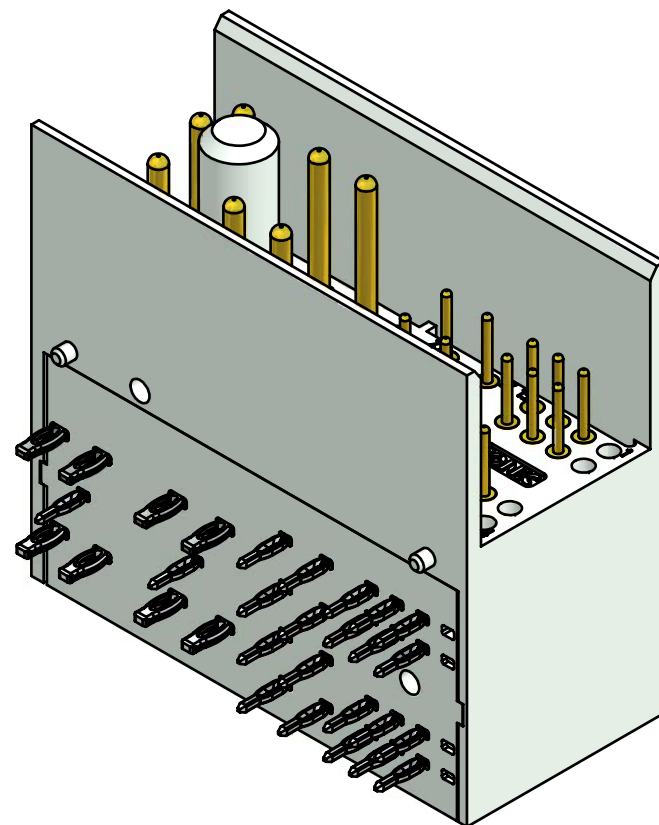
INSULATION RESISTANCE: 5 G OHM PER IEC 512-2, TEST 3a, METHOD A

3. POSITIONS WITHOUT CONTACTS: 1, 2, 3, 4

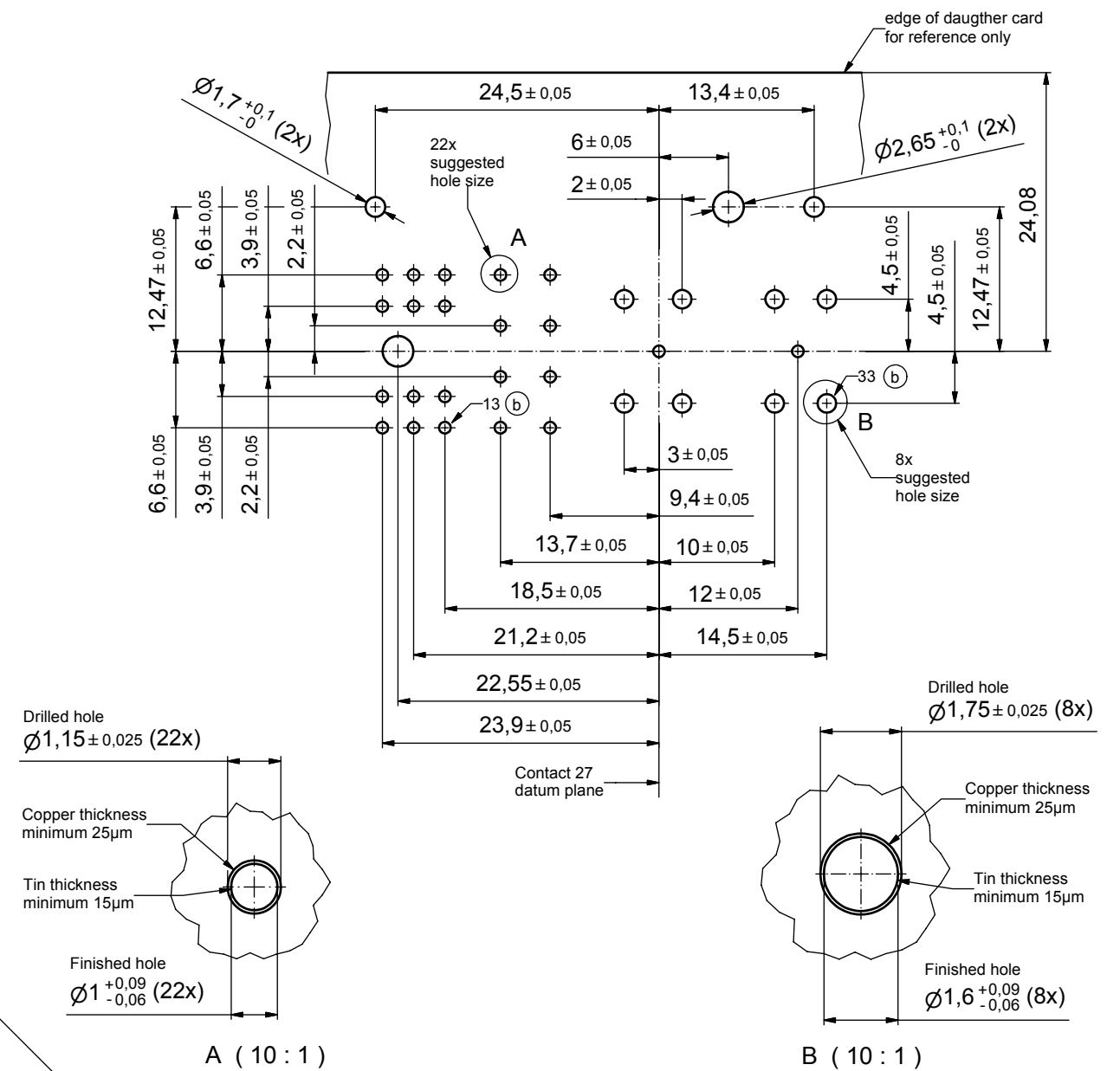
4. WORKING TEMPERATURE: -55°C TO +125°C

5. PRESS-FIT PART OF CONTACTS ARE PATENT PROTECTED

6. CONNECTOR IS PART MARKED: **PART-NO. CONEC ABC**



PCB hole pattern



1	Fixing plate	13		
5	Signal contact type 7	12		
3	Signal contact type 6	11		
2	Signal contact type 5	10		
2	Signal contact type 4	9		
2	Signal contact type 3	8		
3	Signal contact type 2	7		
5	Signal contact type 1	6		
3	Power contact type 4	5		
1	Power contact type 3	4		
3	Power contact type 2	3		
1	Power contact type 1	2		
1	Case 34pos. male	1		
quantity	part description	item	dwg no. / norm	material

finish: see notes		tolerance ISO 2768-m	scale: 2,5:1 (10:1)
date: 22.08.05		name: Mankopf	material: see notes
appd.: 22.08.05		name: Kühle	title: MALE CONNECTOR 30pos. PRESS-FIT ANGLED AdvancedTCA
norm: d-old			dwg no: Inventor
2 x b		Å 2592	23.10.06
rev. description		date	name
partlist		CONEC®	
part no: 46K2A005		DIN-A2	
part no: ATC30W08MAE1S5X		sh: 1	



THIS DRAWING MAY NOT BE COPIED OR REPRODUCED IN ANY WAY, AND MAY NOT BE PASSED ON TO A THIRD PARTY WITHOUT WRITTEN PERMISSION. OWNERSHIP AND COPYRIGHT OF CONEC GMBH

DO NOT ALTER CAD DRAWING BY HAND